



RUIZ & WALKER S.C

AVENIDA BLAS INFANTE,61
VILLANUEVA DEL ROSARIO
MALAGA 29312



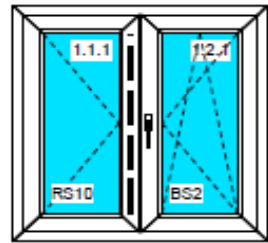
www.ruizywalker.com

info@ruizywalker.com

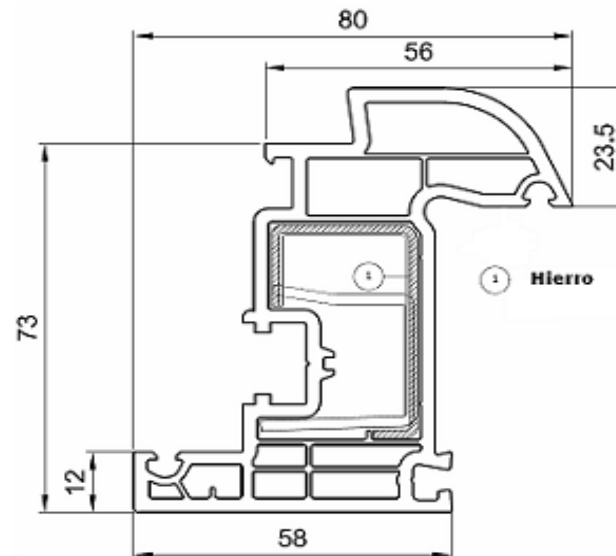
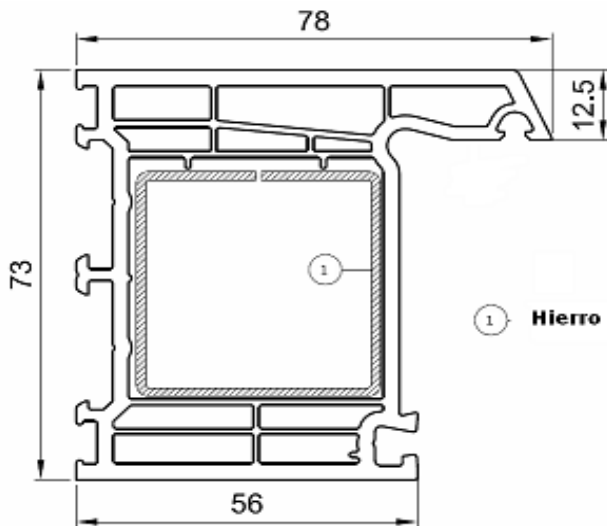
Oscilobatiente

2 Hojas

Blanco



	1000	1100	1200	1300	1400	1500	1600	1700	1800	1900	2000	2100
1000	157.74	160.91	164.11	167.36	172.04	175.24	178.46	181.66	192.35	195.55	198.74	201.94
1100	167.57	170.79	174.02	177.19	181.87	185.09	188.29	191.52	202.18	205.40	208.57	211.82
1200	173.94	177.14	180.34	183.56	188.27	191.46	194.69	197.86	208.57	211.74	214.97	218.14
1300	180.31	183.48	186.71	189.93	194.61	197.83	201.03	204.26	214.92	218.11	221.29	224.54
1400	186.68	189.90	193.13	196.33	201.01	204.20	207.43	210.60	221.29	224.51	227.71	230.93
1500	195.94	199.16	202.36	205.58	210.26	213.46	216.66	219.88	230.57	233.74	236.96	240.16
1600	203.81	206.99	210.21	213.38	218.09	221.31	224.54	227.71	238.39	242.92	244.79	248.01
1700	212.32	215.51	218.71	221.96	226.62	229.81	233.01	236.24	246.92	250.12	253.32	256.54
1800	222.92	226.15	229.35	232.52	237.22	240.42	243.65	246.87	257.50	260.75	263.93	267.15
1900	229.29	232.49	235.69	238.91	243.57	246.79	250.02	253.21	263.87	267.10	270.30	273.52
2000	243.23	246.43	249.65	252.85	257.53	260.75	263.95	267.18	277.84	281.06	284.23	287.48
2100	263.82	267.05	270.24	273.47	278.15	281.35	284.57	287.77	298.40	301.65	304.85	308.05



Vidrio, porte, IVA no son incluyen en este precios.

Consultar por precios industriales